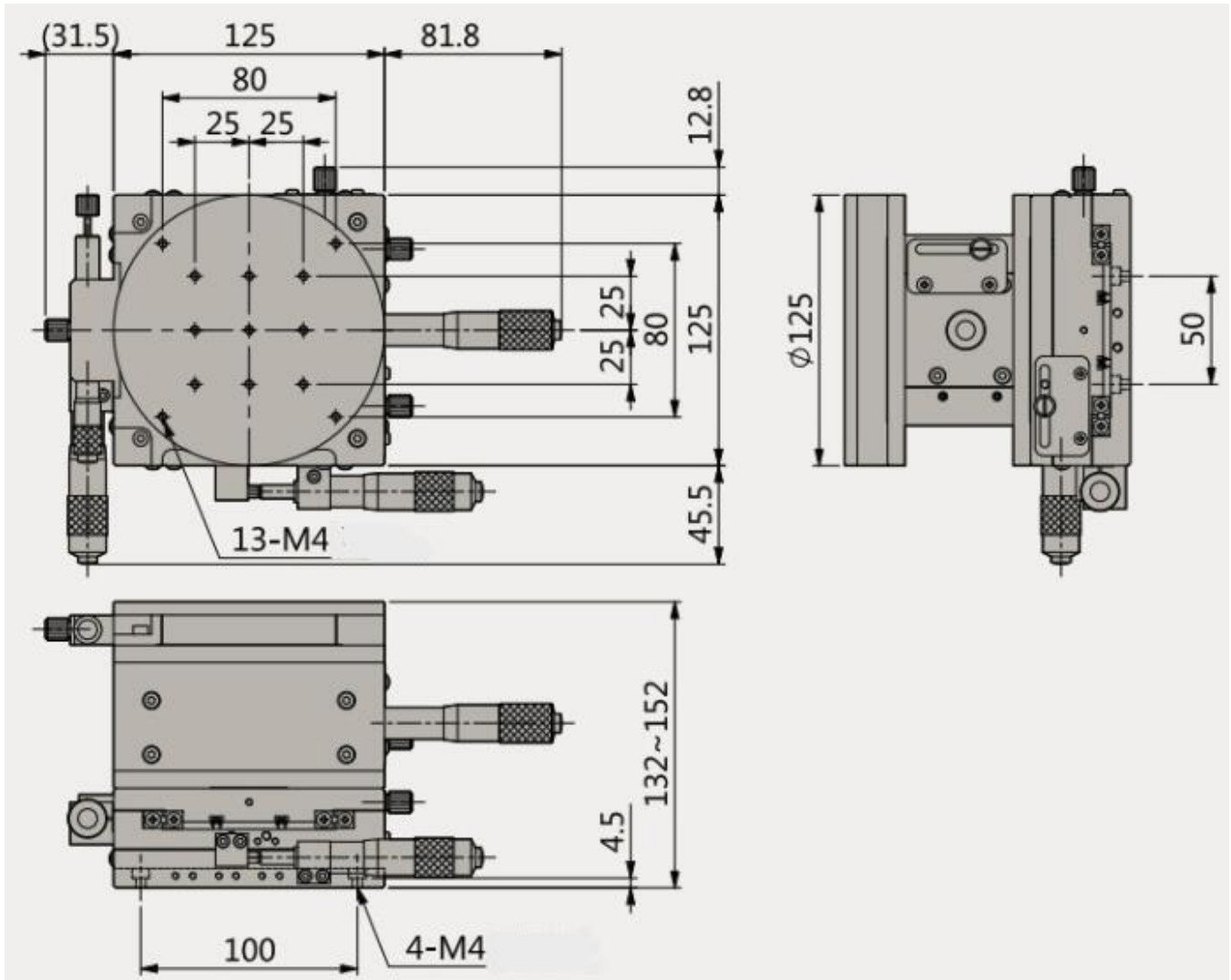




Datasheet

Specifications:

Model	Left	Right
Axes of Travel	X,Y,Z, θ	X,Y,Z, θ
Platform Size	\varnothing 125mm	\varnothing 125mm
Travel	XY axis: \pm 12.5mm Z axis: 20mm θ axis: 360° (Coarse), $\pm 5^{\circ}$ (Fine)	XY axis: \pm 12.5mm Z axis: 20mm θ axis: 360° (Coarse), $\pm 5^{\circ}$ (Fine)
Drive	Micrometer Head(Left)	Micrometer Head(Right)
Guide Type	Crossed Roller Guide	Crossed Roller Guide
Readable Resolution	XYZ axis:0.01mm, θ axis: $5'$	XYZ axis:0.01mm, θ axis: $5'$
Accuracy	0.04mm	0.04mm
Parallelism	0.04mm	0.04mm
Material	Aluminum Alloy	Aluminum Alloy
Load Capacity	29.4N(3kgf)	29.4N(3kgf)
Weight	5.98kg	5.98kg



All the dimensions are in mm.