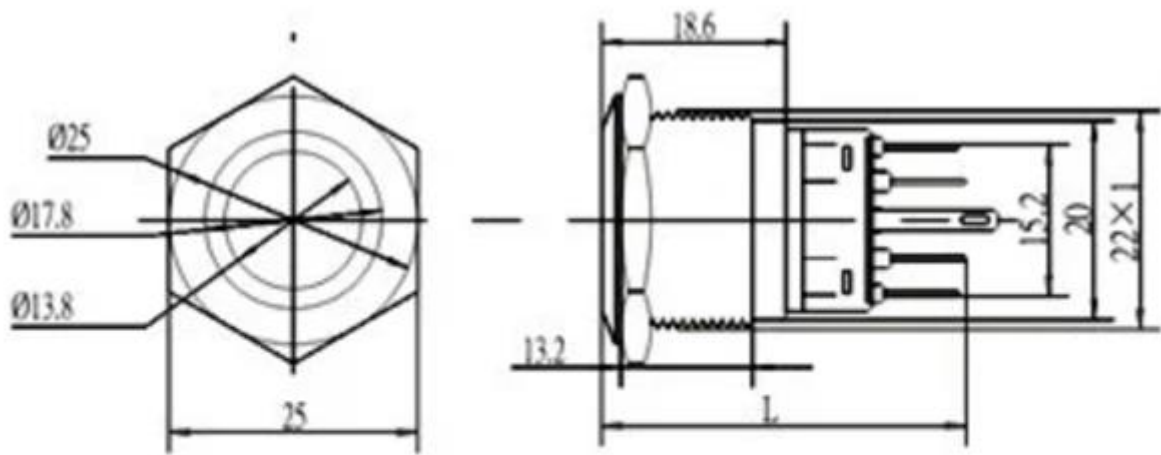




Datasheet

Product Name	Push Button Switch
Model	EnM001VSS001
Mounting Hole	22mm
Operation Type	Latching (Maintain)
Switch Combination	1NO1NC
Actuator Shape	Flat Round Head
Terminal type	6 Pin Terminals
Illuminated or not	Yes
Led Voltage	12V Other variants: 3V/5V/24V/110V/220V
Led Color	Green Other variants: Red, Green, Yellow, White, Orange
Illuminated Type	Ring Led
Enclosure Material	Stainless Steel
Contact Resistance	50 mΩ max
Insulation Resistance	1000MΩ Min
Dielectric Intensity	2000VAC
Operating Temperature	-20°C ~+55°C
Customized symbol, colored housing or Connector	Acceptable and with fast shipping
Accessories	Nut, Rubber Waterproof O-ring, Resistor
Wiring Harness	
What You Get	1X Push button switch: 22mm, 12V Blue LED, Latching



Momentary is 38.5;
Latching is 41.5.

All dimensions are in mm