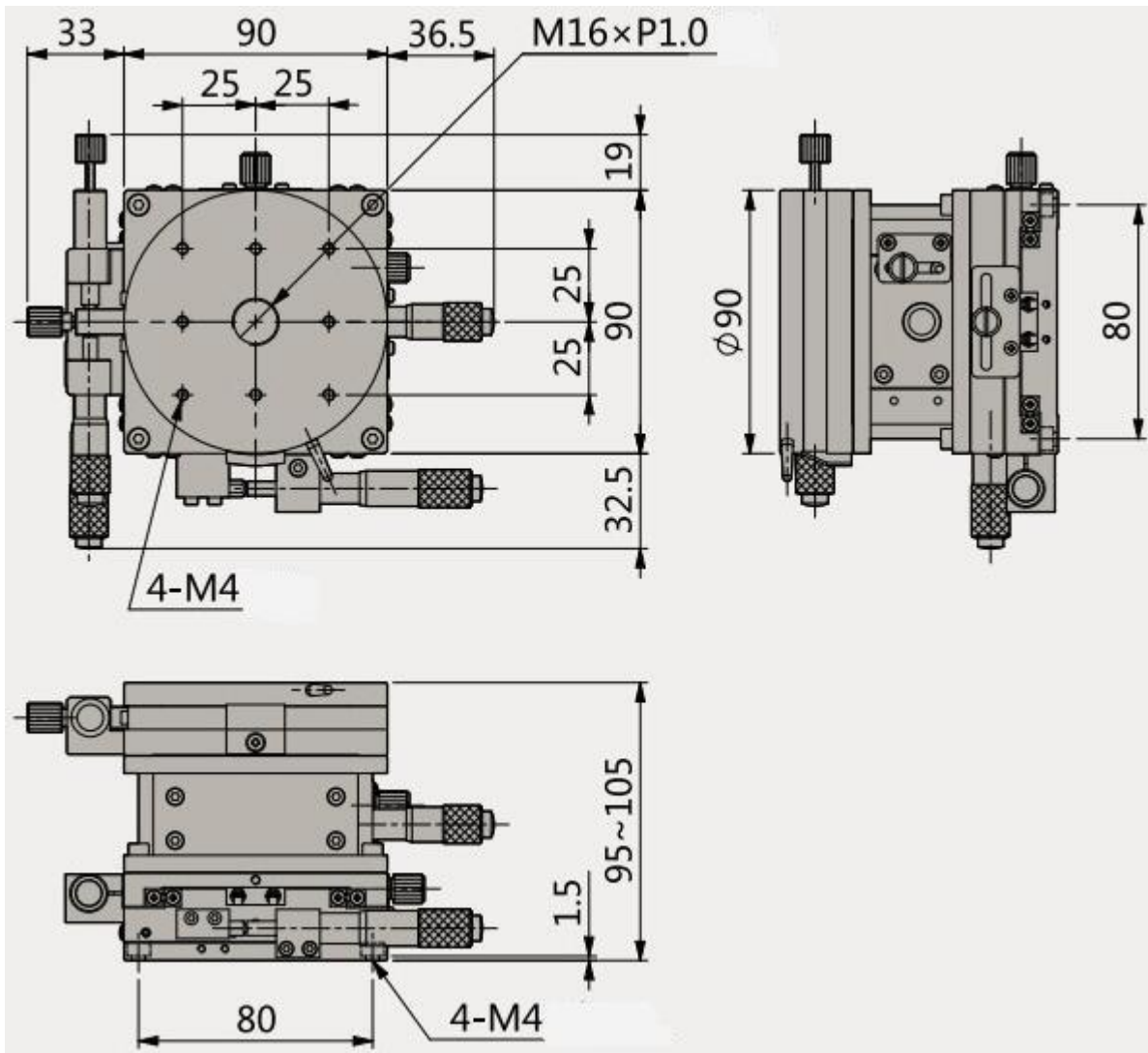




Datasheet

Specifications:

Model	Left	Right
Axes of Travel	X,Y,Z, θ	X,Y,Z, θ
Platform Size	\varnothing 90mm	\varnothing 90mm
Travel	XY axis: \pm 12.5mm Z axis:10mm θ axis:360°(Coarse), \pm 5°(Fine)	XY axis: \pm 12.5mm Z axis:10mm θ axis:360°(Coarse), \pm 5°(Fine)
Drive	Micrometer Head(Left)	Micrometer Head(Right)
Guide Type	Crossed Roller Guide	Crossed Roller Guide
Readable Resolution	XYZ axis:0.01mm, θ axis:5'	XYZ axis:0.01mm, θ axis:5'
Accuracy	0.03mm	0.03mm
Parallelism	0.03mm	0.03mm
Material	Aluminum Alloy	Aluminum Alloy
Load Capacity	39.2N(4kgf)	39.2N(4kgf)
Weight	2.32kg	2.32kg



All the dimensions are in mm.